

# VT 20 Formwork Girder

## The quality girder for daily use on construction sites

Product Brochure – Issue 03/2019



# VT 20 Formwork Girder

The quality girder for daily use on construction sites

The cost-effective VT 20 solid web girder can be used universally. The wooden formwork girder with a 20 cm overall height has been optimised for use in slab formwork operations. Especially for thin slabs with short spans, the solid web girder provides the most suitable solution. The VT 20K Girder is extremely economical to use also for special solutions – ranging from simple beams through to bridge or tunnel formwork projects. The girders are available in 11 lengths from 1.45 m to 5.90 m. Optionally, the girders are available with steel caps which reliably protect the concave web ends against damage.

### High level of dimensional stability

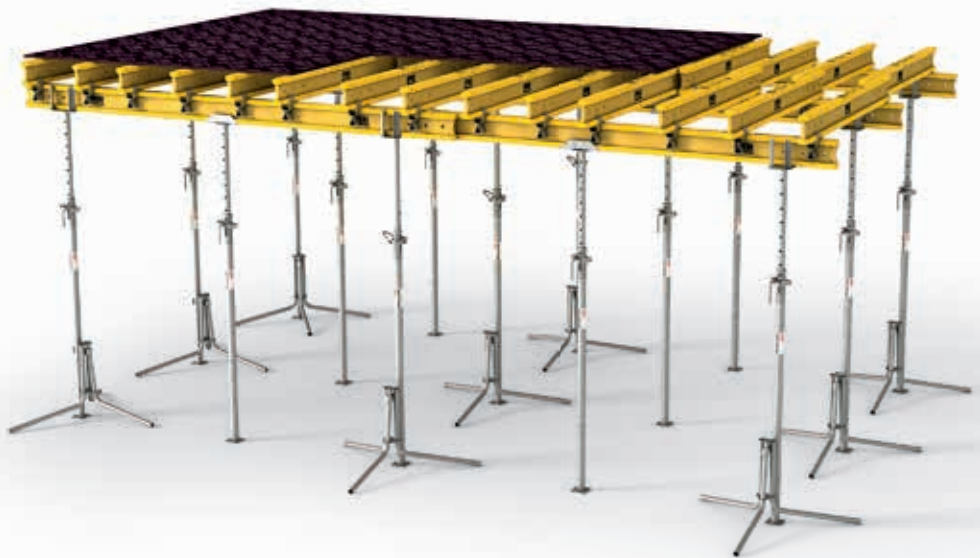
due to a chord cross-section of 4 cm x 8 cm and a 25-mm-thick, highly compressed web board

### Extremely versatile use

thanks to the system holes in the web, e.g. for mounting guardrails

### Low weight

allows "one-man assembly" handling up to working heights of 4.50 m



### Technical data

Weight: 5.40 kg/m

Permissible shear force: 11.00 kN

Permissible bearing force: 22.00 kN

Permissible bending moment: 5.0 kNm

Bending stiffness:  $EI_y = 460 \text{ kNm}^2$

$I_y = 4.181 \text{ cm}^4$



The VT 20 Alpha Formwork Girder is the inexpensive alternative for daily use on the construction site.



On the VT 20K girder, steel caps provide reliable protection against damage at the ends of the chords. Securing of the steel cap has been intentionally done in the unstressed area of the web.



The girder with a 20 cm overall height was developed especially for slab formwork operations. It can be used as a cross and main beam.

Item no.	Weight kg
074990	8.230
074905	12.010
074910	13.630
074890	14.710
074920	16.060
074930	18.220
074940	19.840
074950	21.460
074960	24.700
074970	26.860
074980	32.260

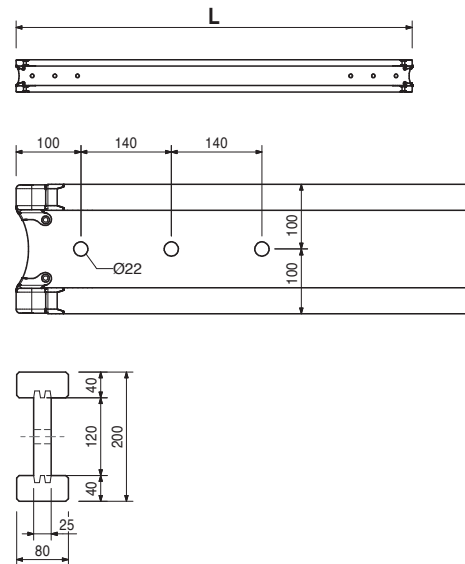
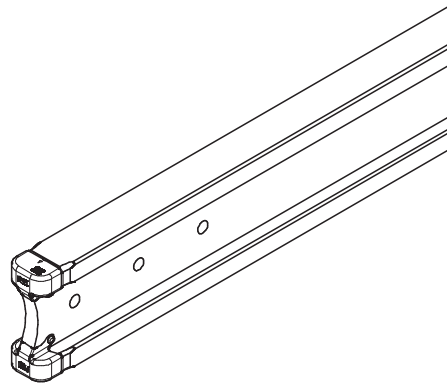
**Girders VT 20K with Steel Caps**

- Girder VT 20K, L = 1.45 m**
- Girder VT 20K, L = 2.15 m**
- Girder VT 20K, L = 2.45 m**
- Girder VT 20K, L = 2.65 m**
- VT 20K Girder, L = 2.90 m**
- Girder VT 20K, L = 3.30 m**
- Girder VT 20K, L = 3.60 m**
- Girder VT 20K, L = 3.90 m**
- Girder VT 20K, L = 4.50 m**
- Girder VT 20K, L = 4.90 m**
- Girder VT 20K, L = 5.90 m**

Universal formwork girder made of wood.

**Note**

The girder fulfils all requirements of DIN EN 13377 Class P20 (Declaration of Conformity).



073650	7.830
073651	11.610
073652	13.230
073653	14.310
073654	15.660
073655	17.820
073656	19.440
073657	21.060
073658	24.300
073659	26.460
073660	31.860

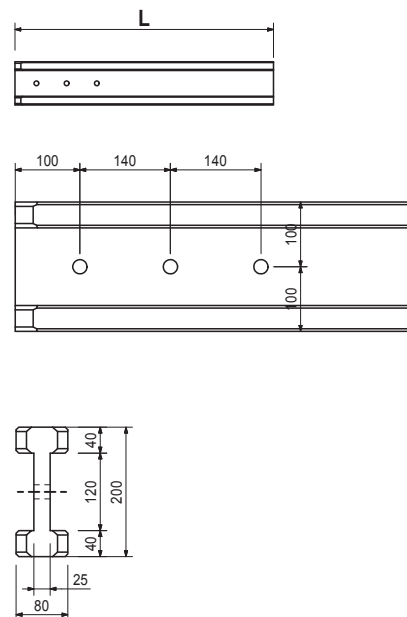
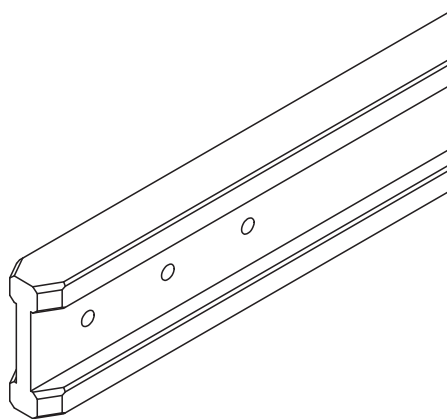
**Girders VT 20 Alpha**

- Girder VT 20 Alpha, L = 1.45 m**
- Girder VT 20 Alpha, L = 2.15 m**
- Girder VT 20 Alpha, L = 2.45 m**
- Girder VT 20 Alpha, L = 2.65 m**
- Girder VT 20 Alpha, L = 2.90 m**
- Girder VT 20 Alpha, L = 3.30 m**
- Girder VT 20 Alpha, L = 3.60 m**
- Girder VT 20 Alpha, L = 3.90 m**
- Girder VT 20 Alpha, L = 4.50 m**
- Girder VT 20 Alpha, L = 4.90 m**
- Girder VT 20 Alpha, L = 5.90 m**

Universal formwork girder made of wood.

**Note**

The girder fulfils all requirements of DIN EN 13377 Class P20 (Declaration of Conformity).



**The optimal System  
for every Project and  
every Requirement**



**Wall Formwork**



**Column Formwork**



**Slab Formwork**



**Climbing Systems**



**Bridge Formwork**



**Tunnel Formwork**



**Shoring Systems**



**Construction Scaffold**



**Facade Scaffold**



**Industrial Scaffold**



**Access**



**Protection Scaffold**



**Safety Systems**



**System-Independent  
Accessories**



**Services**



**PERI GmbH**  
**Formwork Scaffolding Engineering**  
 Rudolf-Diesel-Strasse 19  
 89264 Weissenhorn  
 Germany  
 Tel. +49 (0)7309.950-0  
 Fax +49 (0)7309.951-0  
 info@peri.com  
 www.peri.com

